

# AZR Series

## Replacement for GE Zoneline AZ75 and AZ85 Series

Application Specific | Fast and Easy Replacement | Damage Protection



# ADIRONDACK-AIRE AZR SERIES

## Replacement for GE Zoneline AZ75 and AZ85 Series

### A Smart Replacement Option for Existing Units

The Adirondack-Aire AZR Series zerOzone chassis provides environment friendly, high efficiency cooling and heating where individual, quiet control is a priority. This application specific unit is a direct replacement for the GE Zoneline AZ75 and AZ85 series vertical packaged air conditioners and heat pumps. The chassis is a part of a complete system, which consists of the AZR chassis, a sleeve, wall plenum and Exterior Grille that is typically built into the building exterior wall, ductwork, and wall thermostat. The chassis contains the compressor, indoor and outdoor heat exchangers, evaporator and condenser motors and fans, electric heaters, and all controls (except the wall thermostat). The chassis slides into the existing sleeve for an easy install and removal. The AZR chassis is dimensionally compatible to the original, available in 3 capacities 9,000 btu, 12,000 btu and 18,000btu and in Cooling Only, limited range heat pumps.

Proven technology, quality components, careful design and testing, and the latest in environment friendly technology mean long unit life, and user satisfaction. These reverse cycle heat pump units include a bi-flow thermostatic expansion valve, oversized suction accumulator, electronic changeover control, compressor crankcase heater, built-in electric heaters with overheat protection, high efficiency factory programed EC evaporator and condenser blower motors, with dynamically balanced DWDI blower wheels.

The cooling only models are designed for durability including oversized suction accumulator, capillary tube expansion and electronic safeties.

Also standard is the Rust-Block\* corrosion protection system, evaporator freeze protection, high-pressure over protection.

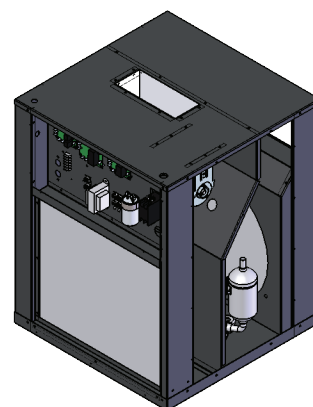
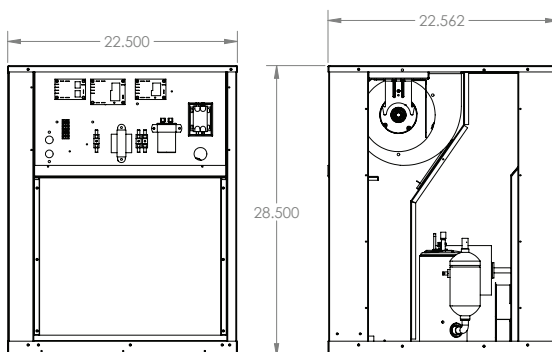
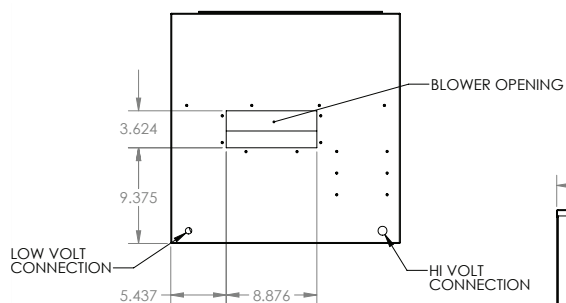
Adirondack-Aire backs the AZR with a customer friendly one-year parts and labor warranty and five-year compressor warranty, (see Warranty document for details).

\* Rust-Block corrosion protection system consists of: heavy gauge galvanized steel construction, powder coated base pan, stainless steel compressor studs, stainless steel drain pans, and Magnaguard coated and/or stainless steel fasteners.

### Standard Features:

- Made in the USA
- Designed for easy installation and compatibility. Dimensionally compatible to the original GE AZ75 and AZ85 series chassis
- Cooling only (w/Electric Heat)
- Limited range heat pump w/ electric heat
- Exclusive Rust-Block corrosion protection
- High efficiency ECM evaporator and condenser fan motors with built-in temperature protection
- Quiet, durable and efficient compressor with built-in pressure and temperature protection
- Heavy gauge G90 galvanized steel construction
- Stainless steel drain pans
- High efficiency copper tube-aluminum fin evaporator and condenser coils
- DWDI centrifugal EC evaporator and condenser blowers
- Electronic defrost control
- Oversized suction accumulator
- Nichrome electric heaters with built-in limit switches
- Slide-out electric heater/blower module for easy room-side service
- High pressure switch
- Refrigerant circuit access ports
- Thermostatic-biflow expansion valve (Heat Pump Models)
- Positive shift reversing valve (Heat Pump Models)
- Precision charged with zerOzone R-410A refrigerant
- ETL approved for Safety UL-484 9th Edition (Coming Soon)

### Unit Drawings



# AZR SERIES APPLICATION & BENEFITS

## Fast and Easy Replacement

The Adirondack-Aire AZR series replacement chassis fits the existing GE Zoneline AZ75 and AZ85 series vertical packaged terminal air conditioner and heat pump front panel, sleeve and wall plenum and works with the existing wall thermostat, ductwork, and architectural exterior grille. Because the chassis dimensions and construction details are like the original, replacement work is fast and easy. The condensate drain lines up with the original. Limited heat pump option minimizes the need for back-up electric heat. Using Adirondack-Aire replacements eliminates the need for room and exterior wall renovation and is the solution that gets your property back in service quickly and at the lowest total cost.

## Damage Protection

The standard high-pressure switch stops unit operation before damage occurs, should airflow become reduced or obstructed due to dirty coils, obstructed airflow, or motor failure. An electronic control ensures precise system change overs to maximize efficiency and enhance reliability. The Rust-Block system ensures a stain-free building exterior. Built-in electric heat/blower module uses a slideout design to aid in room-side service.

## Options and Accessories

- Digital wall thermostat

## Performance Ratings

Model	Cool Btuh	Sens Btuh	EER	Heat Btuh	COP	CFM Hi/Lo	Refrig
AZR-09	9,000	6,800	10.0	7,400	3.0	355	R-410A
AZR-12	12,000	8,000	10.0	10,200	2.9	400	R-410A
AZR-18	17,000	11,300	8.5	15,000	2.7	500	R-410A

Continuous engineering improvements may result in performance changes without notice.

## Electrical Data

Model	Compressor Type	Voltage Volt-Hz-Ph	Evaporator Motor		Condenser Motor		Compressor		Total Amps	Ckt Amps	Max Fuse	Min Volts
			Amps	HP	Amps	HP	RLA	LRA				
AZR-09	Rotary	208-230/60/1	0.9	1/6	1.2	1/4	4.4	20	6.5	10.2	15	197
AZR-09	Rotary	265/60/1	0.9	1/6	1.2	1/4	3.4	21	5.5	9.0	15	240
AZR-12	Rotary	208-230/60/1	0.9	1/6	1.2	1/4	5.2	25	7.3	11.2	15	197
AZR-12	Rotary	265/60/1	0.9	1/6	1.2	1/4	4.3	25	6.4	10.1	15	240
AZR-18	Rotary	208-230/60/1	0.9	1/6	1.2	1/4	8.5	44	10.6	15.4	20	197
AZR-18	Rotary	265/60/1	0.9	1/6	1.2	1/4	6.8	30	8.9	13.2	15	240

## Electrical Heat Ratings

Heater No.	Volt	Watts	Btuh	HTR Amps	Total HTR Amps	Min Ckt Amps	Max Fuse
2	208	2045	6982	9.8	10.7	13.2	15
	230	2500	8535	10.9	11.8	14.5	15
	265	2500	8535	9.4	10.3	12.7	15
3	208	2862	9771	13.8	14.7	18.1	20
	230	3500	11949	15.2	16.1	19.9	20
	265	3500	11949	13.2	14.1	17.4	20
5	208	4089	13960	19.7	20.6	25.5	30
	230	5000	17070	21.7	22.6	28.1	30
	265	5000	17070	18.9	19.8	24.5	30

# INNOVATIVE HEATING AND COOLING SOLUTIONS

Cold Point equipment has been specified in hundreds of projects in these and other applications:  
Direct Replacement | New Construction | Renovation | Commercial & Residential Solutions

## Cold Point values reliability as much as you

Your Cold Point sales representative knows their reputation is on the line with every sale. Therefore, they are as personally invested in your comfort as you are, and take great pride in creating your perfect indoor environment.

## Rest comfortably, knowing Cold Point stands behind our products

The Cold Point Corporation backs our products with a standard warranty that includes parts and labor for the entire first year of ownership. For all coverage options and complete coverage terms, check with your local Cold Point representative for full details.

## Industry-leading expertise

Cold Point Corporation is the industry-leading supplier of aftermarket comfort solutions for commercial and residential applications. We have over 20 years of experience developing OEM-style replacement products to keep you comfortable. Whether it is a water source heat pump, air source PTAC system, or a fan coil application, Cold Point has the knowledge and products to restore your system to its original operating condition.

## Reliable comfort products backed by the industry experts in OEM-style replacement units

To learn more about how the Cold Point Corporation can help you save time and money on your next project, contact your local Cold Point representative. Call **315-339-2331** to speak with one of our specialists, or e-mail your request to [info@coldpointcorp.com](mailto:info@coldpointcorp.com).

Your Cold Point Representative:



7500 Cold Point Dr • Rome, New York 13440

Phone (315) 339-2331 • Fax (315) 339-2358

[www.ColdPointCorp.com](http://www.ColdPointCorp.com)

©2020 Cold Point Corp. All rights reserved.

rev. 01-21 CPL079