

# SERIES PIC REPLACEMENT CHASSIS

*New Construction and Renovation; Replaces RetroAire VPAC and First Company DPU*



ADIRONDACK-AIRE



The Adirondack-Aire PIC Series zerOzone chassis provides environment friendly, high efficiency cooling and heating where individual, quiet control is a priority. This application flexible unit is a vertical configuration thru-the-wall air conditioning system or heat pump (PTAC/PTHP) for new construction or property renovation. This highly flexible design typically fits into the corner of a room and serves one or more zones/rooms.

A complete system consists of the chassis, a wall sleeve with outdoor louver, factory or site-built room cabinet with return air panel, wall thermostat, flex duct and supply air grille(s). The room cabinet can be a site-built closet with factory available return air/access panel. This design provides a barrier between the unit and room occupants, thereby minimizing sound levels. The ducted air delivery system maximizes comfort.

Proven technology, quality components, careful design and testing, and the latest in environment friendly technology mean long unit life, user satisfaction, and lower energy costs. Additional features include the Rust-Block\* corrosion protection system, slinger condenser fan, evaporator freeze protection, and evaporator fan post purge control. Adirondack-Aire is the choice that the competition can't match.

Cold Point Corp. backs the PIC with a customer friendly one-year parts and labor warranty and five-year compressor warranty, (see Warranty document for details). Heat pumps are available and include a thermostatic expansion valve and compressor crankcase heater. Heat pump heating is single-stage operation. Manual fresh air damper is standard on all models. The standard one inch disposable fiberglass air filter is chassis mounted.

\* Rust-Block corrosion protection system consists of: heavy gauge G90 rated galvanized steel construction, plastic or aluminum condenser fan, stainless steel compressor and condenser motor studs, powder painted drain pan, and Magnaguard and/or stainless steel screws and fasteners.

## APPLICATION & BENEFITS



### QUIET COMFORT

The Adirondack-Aire PIC series zerOzone vertical PTAC/PTHP offers the ease of installation, simplicity, and flexibility of a PTAC but offers major advances in quiet, comfort, and occupant satisfaction. The conventional wall thermostat control eliminates confusing buttons and dials and improves temperature control and occupant comfort. The standard manual fresh air damper introduces fresh air to the room. High efficiency compressors provide demonstrated reliability and low sound levels.



### DAMAGE PROTECTION

A slinger ring condenser fan provides a blow-thru airflow pattern that re-evaporates condensate, eliminating the need, cost, and maintenance of internal drains. The evaporator freeze protection stops unit operation before damage occurs, should airflow become reduced or obstructed due to dirty coils, obstructed airflow, or motor failure or lock up. Condensate re-evaporation and the Rust-Block system assure a stain-free building exterior. The outdoor louver is an architectural style fabricated using rust-free clear anodized aluminum components.



### OPTIONS AND ACCESSORIES

- Heat pump
- Hydronic heat assembly
- Electric heat
- Chassis stand
- Motorized fresh air
- Return air/ access panel
- Wall thermostat
- Internal drain
- Wall sleeves
- Louvers
- Control options
- LCDI line cord

# SERIES PIC REPLACEMENT CHASSIS

New Construction and Renovation; Replaces RetroAire VPAC and First Company DPU



ADIRONDACK AIRE

## Performance Ratings

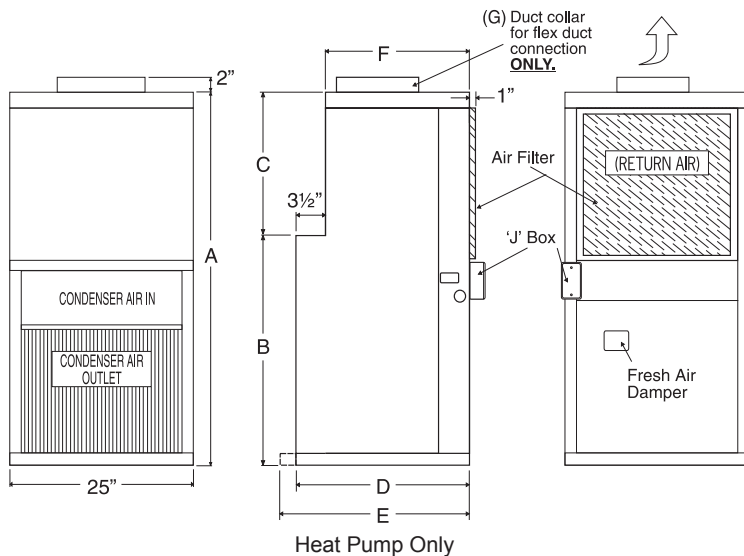
Model	Cool Btuh	Sens Btuh	EER	Heat Pump Cooling Btuh	Heat Pump Sensible Btuh	EER	Heat Pump Heating Btuh	COP	CFM*	Cond. Fan Type/ Air Direction	Refrigerant
PIC-09	9,800	7,000	11.0	9,400	7,200	10.7	9300	3.4	290	Axial / Blow Thru	R-410A
PIC-12	12,000	8,600	9.8	12,000	8,300	10.5	11200	3.3	380		R-410A
PIC-15	13,800	10,700	8.2	15,400	9500	9.0	14300	3.0	490		R-410A
PIC-18	18,000	11,700	9.8	17,500	12500	9.6	16000	3.0	510		R-410A
PIC-24	22,600	16,700	9.4	21,700	16,000	8.8	22000	3.0	700		R-410A

Continuous engineering improvements may result in performance changes without notice.

\* Dry coil airflow

## Unit Sizes

Model	A	B	C	D	E	F	G	Chassis Weight (lbs)
	Inches							
PIC-09, 12, 15	40	25	15	20	21	16 1/2	9	140
PIC-18, 24	52	32	20	25	26 1/2	21 1/2	12	145



Rome, New York 13440

Phone (315) 339-2331 • Fax (315) 339-2358

[www.ColdPointCorp.com](http://www.ColdPointCorp.com)

©2017 Cold Point Corp. All rights reserved.



CPL063 rev. 08-17